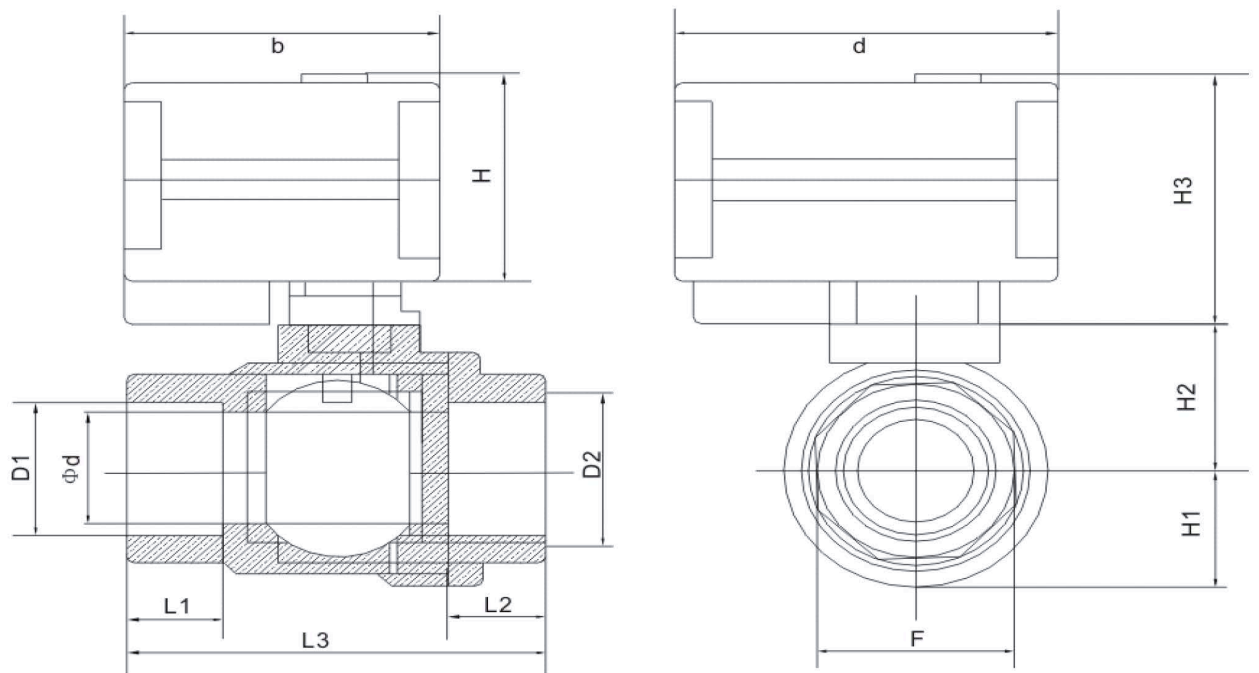


parameters

Rated Voltage	DC3-6V/AC/DC9-24V
Rated current	45-100mA
Output Torque	Q-1.5NM、N-2NM
Valve Size	DN8-25
Open/Close Time	Q-3seconds、N-5seconds
Control Mode	CR01/02/03/04/05/06
Enclosure	IP65
Working Pressure	Max1.0MPa
Medium Temperature	0-90℃
Special Function	position indicator/quick open
Product Life	100000times

product dimension figure



appearance drawing(mm)

Connection	size	D1/D2	Φd	L1	L2	L3	F	H1	H2	H3	b	d	W(kg)
Both female screws	DN8	G1/4	8	11	11	41	21	12	18	50	52	62	0.258
	DN15	G1/2	15	11	11	53.5	27	16	22	50	52	62	0.342
	DN20	G3/4	15	10	10	61	30	21.5	21.5	50	52	62	0.330
	DN25	G1	20	16	18	73	38	25.5	25.5	50	52	62	0.499
Female and male screws	DN20	G3/4	15	10	18	65	30	16.5	21.5	50	52	62	0.333
	DN25	G1	20	14	15	91	38	20	24	50	52	62	0.502
Full port	DN20	G3/4	20	15	15	70	30	19.5	25	50	52	62	0.446
	DN25	G1	25	20	20	82	38	23	28	50	52	62	0.627